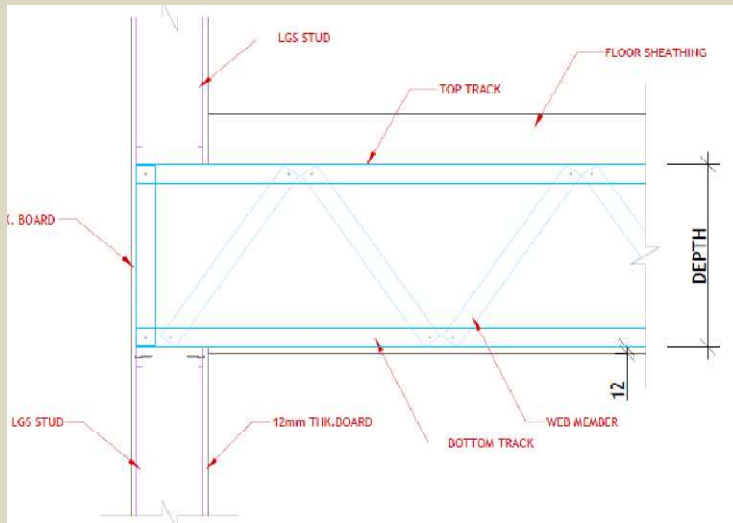


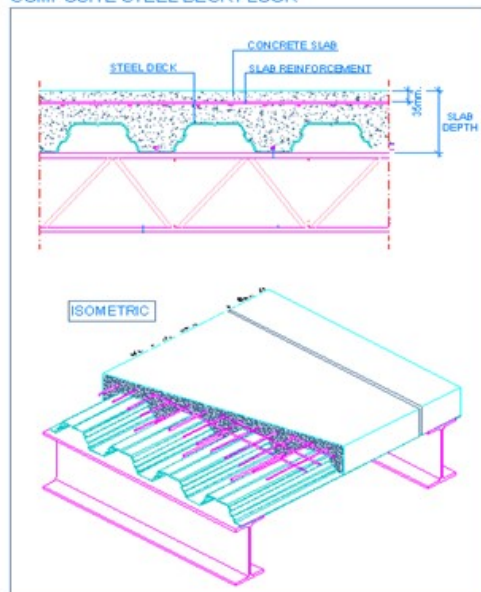
# Light gauge steel Floor joist & Sheathing



Floor Joist Sections

Sr. No.	Section	Depth (mm)	Flange (mm)	Lip (mm)	Thickness (mm)	Steel Grades
1	100S50	100	50	15	0.95 to 2.0	275,350* & 550*
2	150S50	150	50	15	0.95 to 2.0	275,350* & 550*
3	200S50	100	50	15	0.95 to 2.0	275,350* & 550*
4	250S50	100	50	15	0.95 to 2.0	275,350* & 550*
5	300S50	100	50	15	0.95 to 2.0	275,350* & 550*
6	300S50	100	50	15	0.95 to 2.0	275,350* & 550*
7	89S41	89	41	15	0.95 to 1.15	275,350* & 550*

COMPOSITE STEEL DECK FLOOR



## Floors and Flat Roofs:

GI - Light Gauge Steel 'C' Profiles shall be used for Floor Trusses / Floor Panels with structural grade steel as per design requirements.

0.5mm or 0.7mm thick GI corrugated decking sheets shall be used above the Floor trusses & Roof trusses and Concrete & reinforcement will be as per design.

concrete shall be casted for 75mm thick concrete slab; concreting and floor finishes with skirting shall be done by the client.